

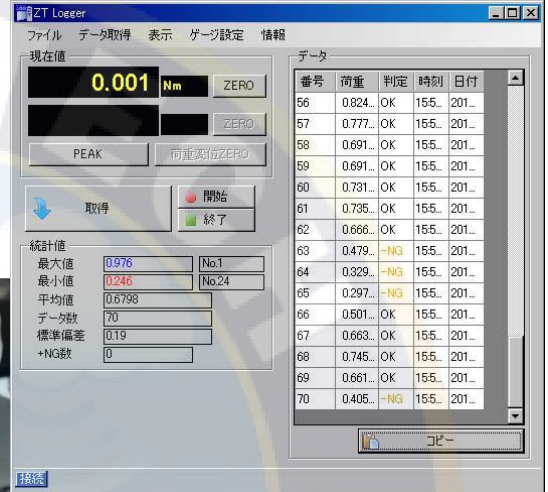
핸드 디지털 토크계 HTGS/HTGA 시리즈

() 가



Left: HTGA

Below: Accessories software ZT-Logger



		가
- 2000	- EL	- USB PC
- 가	-	- 가 (Force Recorder)

*

- 1.
2. ()

[Specifications]

Model	HTGA	HTGS
	USB	HTGA
	±0.5% F.S ± 1 digit	
	N - m, N - cm	
	4	
	10 /	
	2000 / (1)	
	8 (8) (2)	
	200%	
	: 0 ~ 40 , : 20 ~ 80%RH	
	(2), (), (1000), (), , , +NG , (), ,	
	1st, 2nd (3), (3)	-
	USB, RS232, 3 (-NG / OK / +NG),	(4), 2VDC (D/A),
	2 (), USB ,	-
	110% F.S (,)	
	SEND (), , ON, OFF	
	: 490 g	
	AC , , CD (), USB , , (10n-M)	
	USB (5)	-

*1 These are the specifications for International model. Please note that this unit is different from Japanese domestic model and international one.

*2 The recording rate to USB flash drive is selectable among 1, 50 and 100/sec.

*3 The battery is more consumed when connected to USB flash drive or a displacement scale.

*4 Angle (displacement) scale is necessary to activate this function.





*5 Not always available for Mitutoyo digimatic products.

*6 USB flash drive is not included.



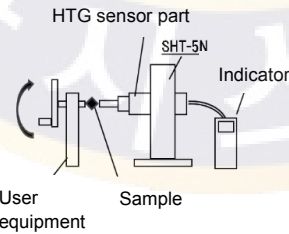

[HTG series models]

Model				
HTGA-0.5N	HTGS-0.5N	50N-cm	50.00N-cm	0.01N-cm
HTGA-2N	HTGS-2N	2 N-m (200N-cm)	2.000N-m (200.0N-cm)	0.001N-m (0.1N-cm)
HTGA-5N	HTGS-5N	5 N-m (500N-cm)	5.000N-m (500.0N-cm)	0.001N-m (0.1N-cm)
HTGA-10N	HTGS-10N	10N-m (1000N-cm)	10.00N-m (1000N-cm)	0.01N-m (1N-cm)

[Option attachment]

가			
			
가	가	가	가
<p>大</p> <p>Model : HT-DC-13 Opening width : ϕ1.2~13mm Weight : approx. 600g *Cannot be used for 2N·m or 0.5N·m range</p>	<p>Model : HT-9.5SQ Socket : 9.5mm square Weight : approx. 100g</p>	<p>Model : HT-DBH Bit : + : No.1×50 + : No.2×50 - : No.3×50 Weight : approx. 100g</p>	<p>Model : HT-AD-M10 Screw : M10×L20 Weight : approx. 50g</p>
<p>中</p> <p>Model : HT-DC-6.5 Opening width : ϕ0.5~6.5mm Weight : approx. 200g *Cannot be used for 0.5N·m range</p>			
<p>小</p> <p>Model : HT-DC-4 Opening width : ϕ0.5~4mm Weight : approx. 100g</p>			

[Option Stand]

Sensor fixation for stable measurements		
 <p>The fixing direction can set horizontally or vertically.</p>		<p>The stand holds HTGS/HTGA series sensor. It realizes stable torque measurements.</p>
	 <p>HTG sensor part SHT-5N Indicator User equipment Sample</p>	<p>[Horizontal Sensor Fixing] Torque measurement of torsion spring etc.</p>
<p>Sensor Holder Model: SHT-5N Capacity: 5N·m (500N·cm) Weight: Approx. 1100g Dimension: Please refer Page 6.</p> <p>*DO NOT use the stand for 10N·m torque range. *It is possible to screw on equipment.</p>		<p>[Vertical Sensor Fixing] Turning torque of small screws or turbines. Simple screw cap measurement etc.</p> <p>*Use Small table HT-ST</p>

[Accessories]

ZT - Logger	<p>Main Functions</p> <ul style="list-style-type: none"> - (10 /) - CSV 가 : / 	
	<p>Working Environment</p> <ul style="list-style-type: none"> - OS: Windows XP/Vista(32bit) 7/8/8.1(32bit/ 64bit) - CPU : 1 GHz - : 1 GB - : 2 GB - .NET Framework 4 	
Force Recorder Professional Trial Edition	<p>Main Functions</p> <p>Force Redcorder</p>	
	<p>Working Environment</p> <ul style="list-style-type: none"> - OS: Windows XP/Vista(32bit) 7/8/8.1(32bit/ 64bit) - CPU : 1 GHz - : 1 GB - : 2 GB - .NET Framework 4 	

[Related products]

Graphing Software: Force Recorder		
	<p>Main functions</p> <ol style="list-style-type: none"> 1. USB (2000 /) 가 2. 5 가 가 (Standard , Professional) 3. Light , Standard , Professional 	
<p>Printer : DP-1VR</p>	<p>Option cable</p> <ul style="list-style-type: none"> Analog(3m) : CB-108 RS232C Cable (3m) : CB-208 Digimatic cable(3m) : CB-308 Contact point cable (3m) : CB-808 Open end cable (3m):CB-908 	<p>Replacement battery : BP-308</p>
<p>Prints indicated values and data in internal memory. *CB-308 cable is necessary.</p>	<p>Various cables are available.</p>	<p>Battery for replacement.</p>

eZ-Connect series Sensor-interchangeable Amplifier eZT



For measuring both torque and compression/tension force...

eZT is an amplifier which enables to connect to various eZ-Connect load cells of your choice.

*The amplifier and the load cell are not calibrated (actual loading calibration) together therefore the inspection certificate is not included. Please calibrate them or ask us for calibration service.

*The accuracy of load cell is dependent on the model. Please refer to each specification sheet for details.

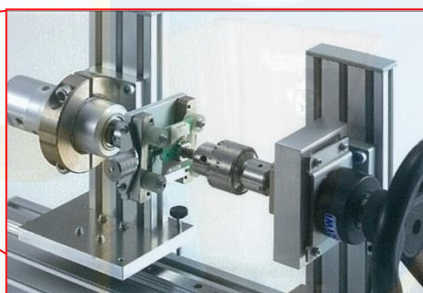
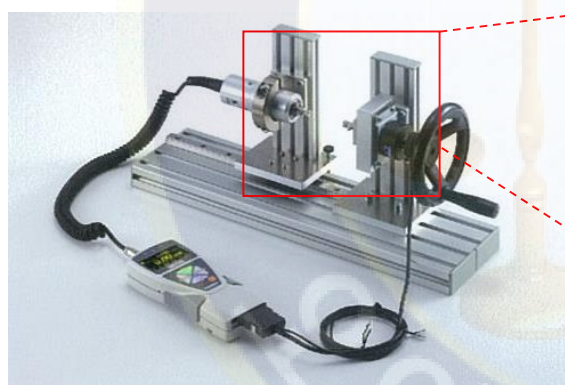
Handy Torque-Angle Measurement Unit (Custom-made)



For feeling test of rotary switches on car dashboard

- Easily analyze torque-angle measurement
- Enables stable measurement with the height adjustable stay.

Torque-Angle measurement Unit with Manual test stand (Custom-made)



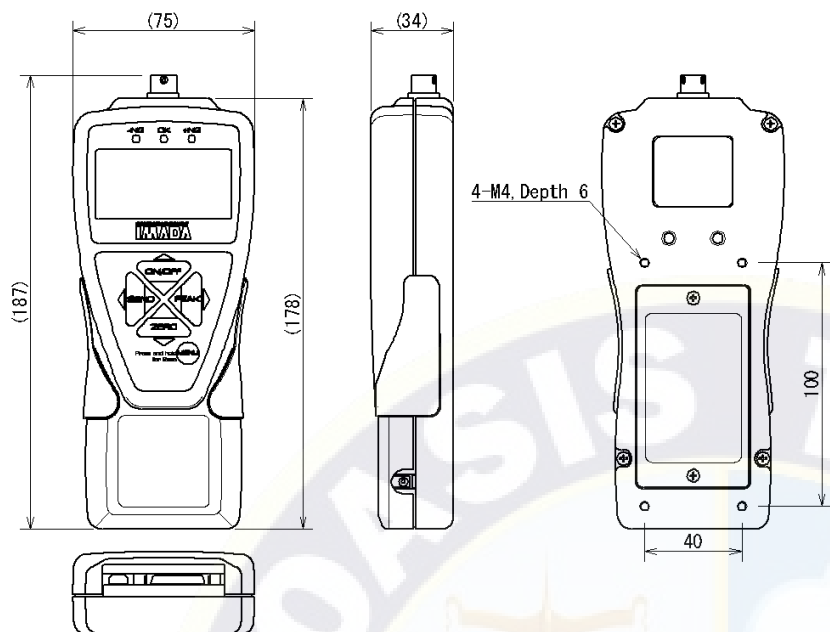
Torque-Angle Measurement of a small switch

- The sensor and the jig for chuck can be fixed on the stand.
- The handle enables stable measurement and analysis of torque-angle and improves repeatability.

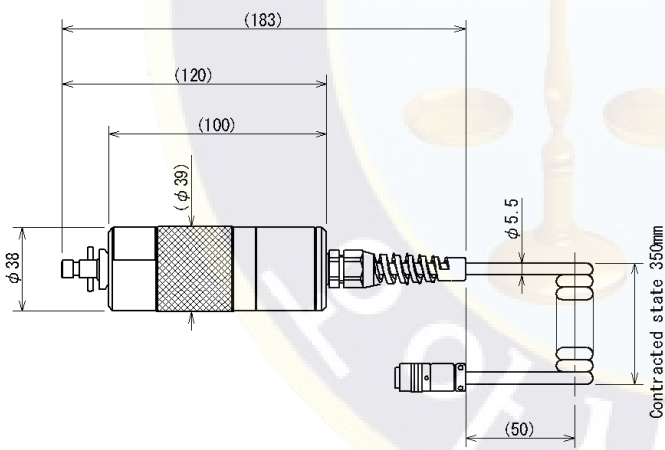
*We offer custom-made products based on your needs. Please contact us for your measurement solutions.

[Dimensions]

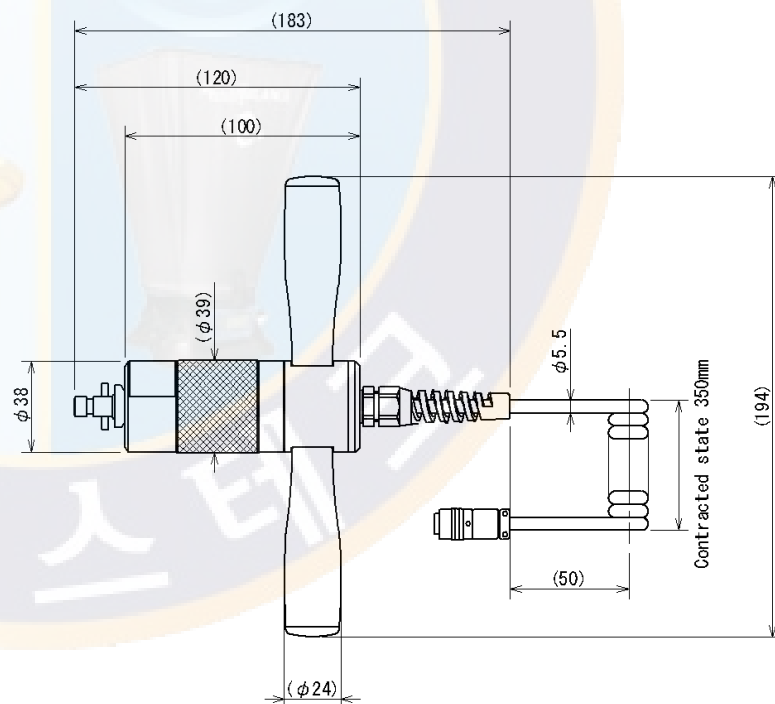
Indicator



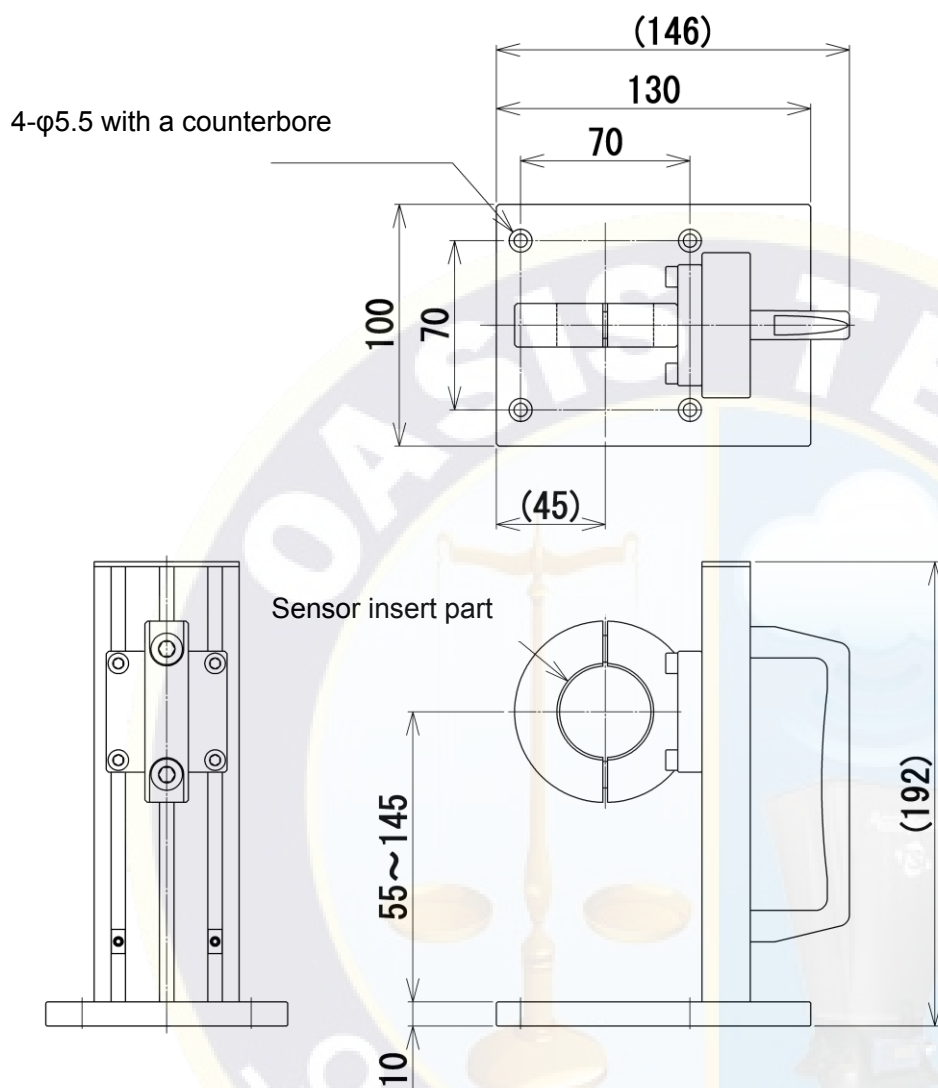
Sensor :0.5N, 2N and 5N



Sensor : 10N



SHT-5N



[Calibration Certificate]

- We offer calibration certificate with extra charge.
- * Please contact us or our distributor in your country for further information.

[Cautions]

- The contents may be changed without previous notice.
- All of products are designed for measurement purpose only.
- Do not copy and use this content without authority.
- Please note if you add load over capacity, its sensor would be broken down.
- Please note that the capacity is dependent on the displayed unit. Please contact us for details.